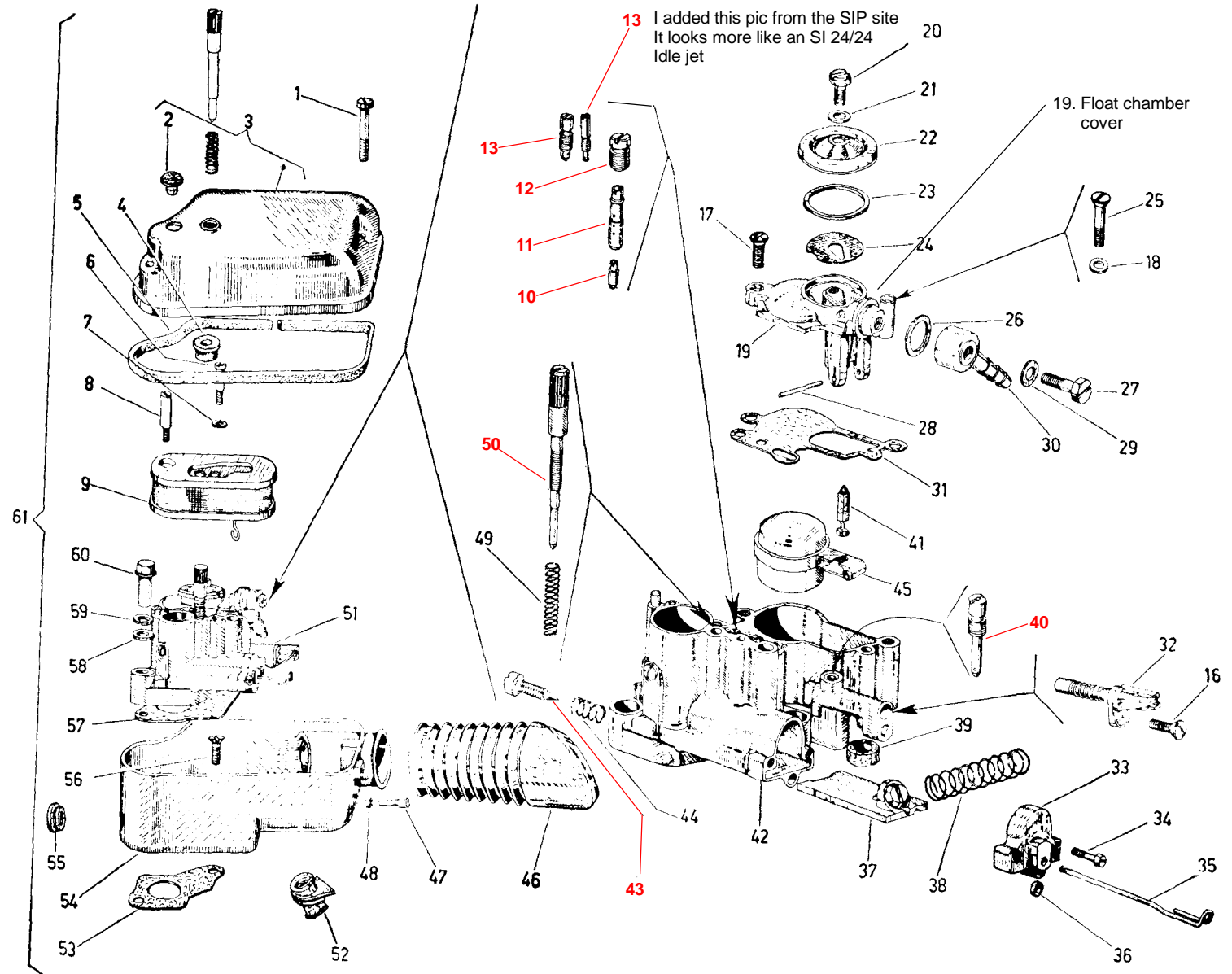


- 13. Pilot Jet
Slow Running Jet
Idle (Mixture) Jet
- 12. Main Air Bleed
Air Corrector Jet
Atomizer jet (SIP)
Main air adjustment jet (SIP Germany)
Air Jet (Scooterworks USA)
- 11. Diffuser (BE1-BE6)
Mixer Tube
Calibrator
Atomizer (Scooterworks USA)
Mixer Jet (Scooterwest USA)
- 10. Main jet
- 50. Throttle Stop Screw
Throttle stop adjuster screw
Adjusting Screw Idle-screw (SIP Germany)
Idle Screw (Scooterworks)
- 40. Starter jet
Cold starter jet
Choke Jet (SIP Germany)
- 43. Mixture Screw
Pilot Jet Adjusting Screw
Adjustment Screw Mixture SI (SIP Germany)



Differing National Nomenclature for SI Carb Jets & Mixture Screws

